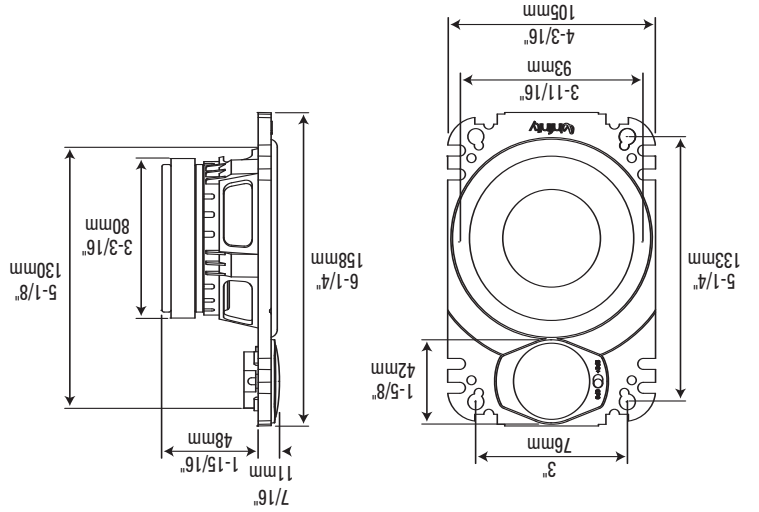


Declaration of Conformity  
 CE  
 We, Harman Consumer Group, Inc.  
 2, route de Tours  
 72500 Château du Loir  
 France  
 declare in own responsibility that the product described in this owner's  
 manual is in compliance with technical standards:  
 EN 61000-6-3:2001  
 EN 61000-6-1:2001  
 Klaus Leberer  
 Harman Consumer Group, Inc.  
 Château du Loir, France 1/09



Designed and engineered in the USA. Conception et design aux E.U.A.  
 A valid serial number is required for warranty coverage. Un numéro de série valable est exigé pour la couverture de la garantie.  
 Features, specifications and appearance are subject to change without notice.  
 Les dispositifs, les caractéristiques et l'aspect sont sujets au changement sans communication préalable.  
 Harman Consumer Group, Inc., 250 Crossways Park Drive, Woodbury, NY 11797 USA  
 www.infinitysystems.com  
 © 2009 Harman International Industries, Incorporated. All rights reserved. Tous droits réservés. • Part No. REF4320M1/09  
 Infinity is a trademark of Harman International Industries, Incorporated, registered in the United States and/or other countries.  
 Infinity est une marque commerciale de Harman International Industries, Incorporated, déposée aux Etats-Unis et/ou dans d'autres pays.  
 H Harman International



# REFERENCE

## 6432cfp



BL (T-m)	3.82	Vas (l)	2.48
DCR (ohms)	2.30	Fs (Hz)	88.1
Mms (g)	7.46	Qes	0.65
Sd (sq cm)	63.6	Qms	9.61
Cms (µm/N)	437	Qt	0.61

**SPECIFICATIONS**

Type: 4" x 6" 2-Way Custom-Fit Plate  
 Impedance: 2 Ohms  
 Power Handling, RMS: 45W  
 Power Handling, Peak: 135W  
 Frequency Response: 72Hz – 21kHz  
 Sensitivity (2.83V, 1m): 91dB

**WARRANTY:** Reference Series speakers are warranted against defects. The duration of the speaker's warranty depends on the laws in the country in which it was purchased. Your local Infinity car audio retailer can help you determine the length of your warranty. To register your product, please visit us at [www.infinitysystems.com](http://www.infinitysystems.com).

**SPECIFICATIONS**

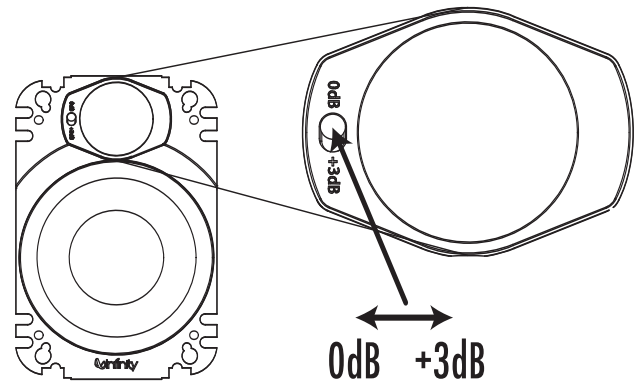
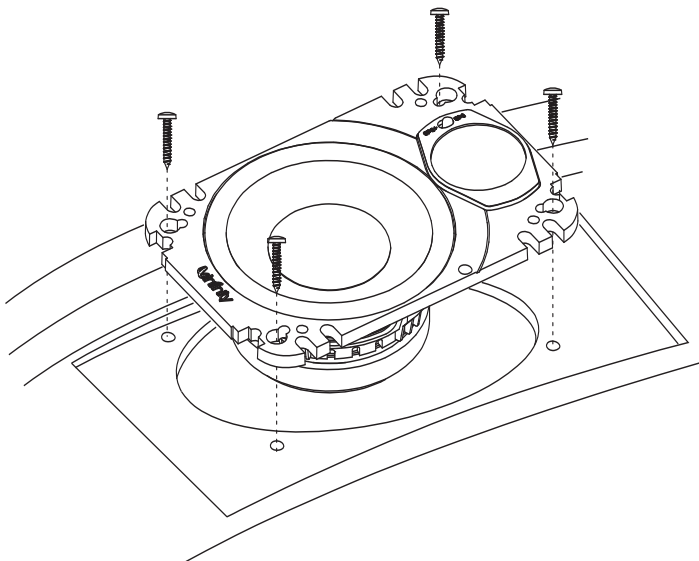
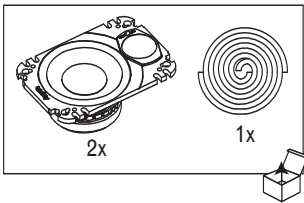
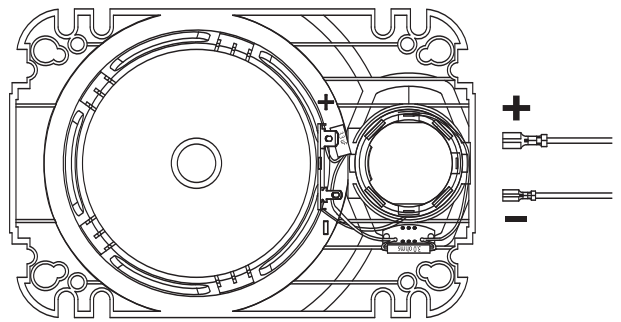
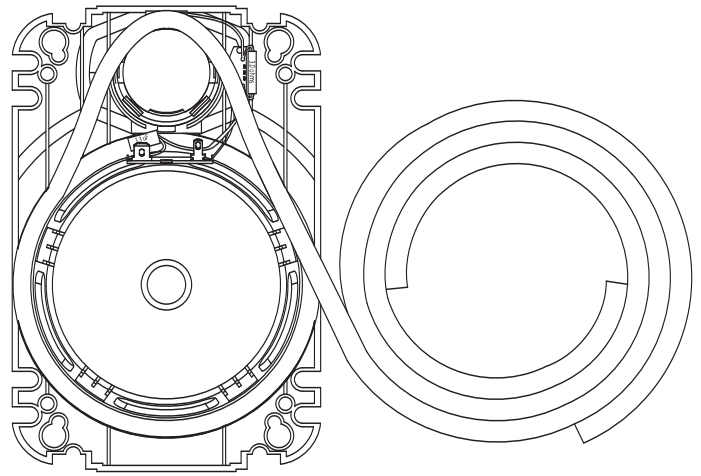
Type: 4" x 6" 2-Way Custom-Fit Plate  
 Impedance: 2 Ohms  
 Power Handling, RMS: 45W  
 Power Handling, Peak: 135W  
 Frequency Response: 72Hz – 21kHz  
 Sensitivity (2.83V, 1m): 91dB

**WARRANTY:** Reference Series speakers are warranted against defects. The duration of the speaker's warranty depends on the laws in the country in which it was purchased. Your local Infinity car audio retailer can help you determine the length of your warranty. To register your product, please visit us at [www.infinitysystems.com](http://www.infinitysystems.com).

**SPECIFICATIONS**

Type: 4" x 6" 2-Way Custom-Fit Plate  
 Impedance: 2 Ohms  
 Power Handling, RMS: 45W  
 Power Handling, Peak: 135W  
 Frequency Response: 72Hz – 21kHz  
 Sensitivity (2.83V, 1m): 91dB

**WARRANTY:** Reference Series speakers are warranted against defects. The duration of the speaker's warranty depends on the laws in the country in which it was purchased. Your local Infinity car audio retailer can help you determine the length of your warranty. To register your product, please visit us at [www.infinitysystems.com](http://www.infinitysystems.com).



**TWEETER-LEVEL CONTROL**

This speaker system is equipped with a tweeter-level switch. The normal setting for this switch is the "0dB" position, which provides an apparently "flat" response. Tweeter output may be increased according to the user's preference, or to compensate for off-axis placement (where the speaker does not directly face the listening position), by setting the switch to the "+3dB" position.

**TWEETER-LEVEL CONTROL**

This speaker system is equipped with a tweeter-level switch. The normal setting for this switch is the "0dB" position, which provides an apparently "flat" response. Tweeter output may be increased accord-

ing to the user's preference, or to compensate for off-axis placement (where the speaker does not directly face the listening position), by setting the switch to the "+3dB" position.

**TWEETER-LEVEL CONTROL**

This speaker system is equipped with a tweeter-level switch. The normal setting for this switch is the "0dB" position, which provides an apparently "flat" response. Tweeter output may be increased according to the user's preference, or to compensate for off-axis placement (where the speaker does not directly face the listening position), by setting the switch to the "+3dB" position.